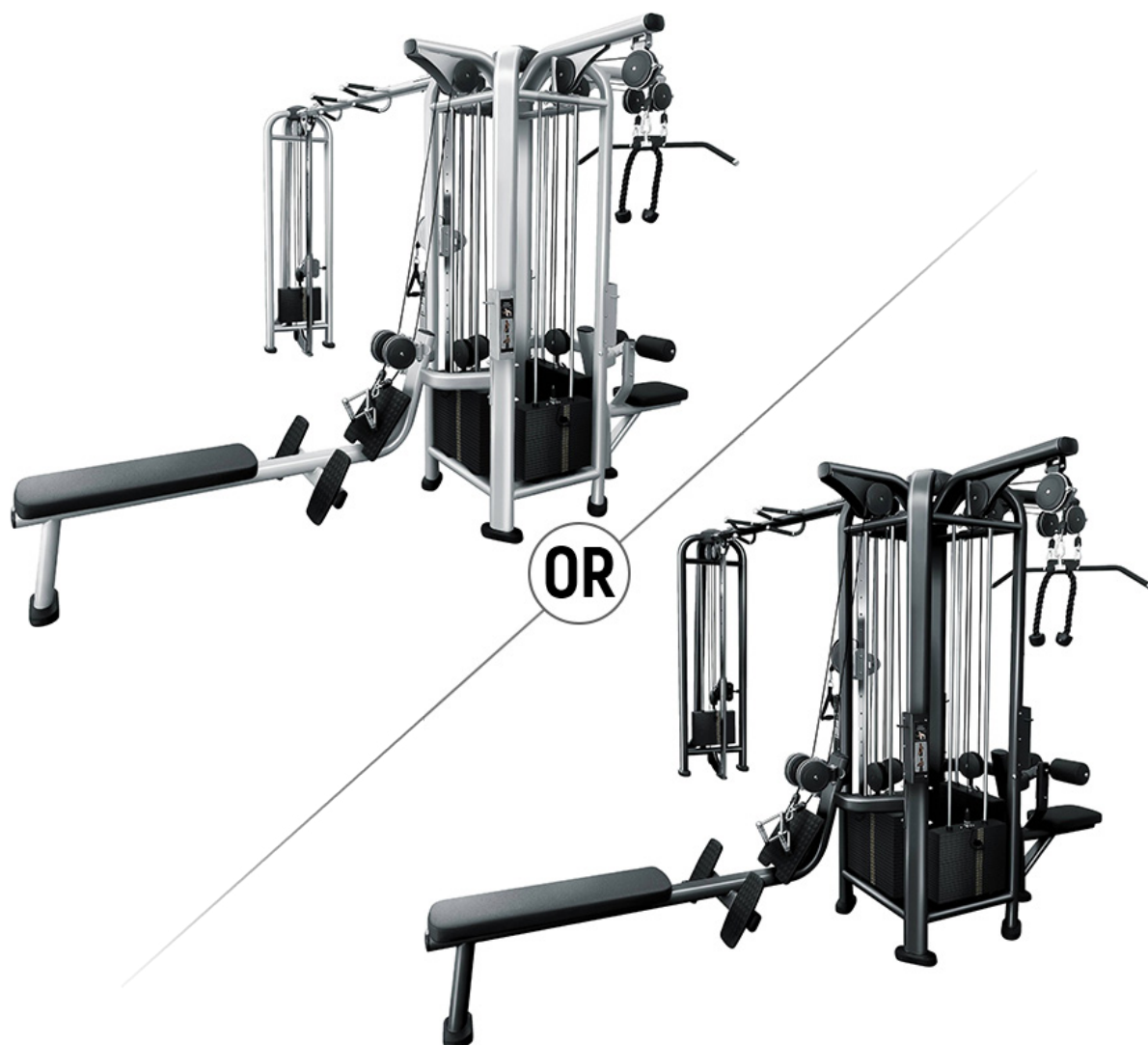


FRENCH FITNESS

FFS-5SMJG / FFB-5SMJG

FRENCH FITNESS FFS SILVER & FFB BLACK
5 STACK MULTI JUNGLE GYM

ASSEMBLY MANUAL



FEATURES

- 11 Gauge Steel
- 65 x 114 x 3mm Flat oval steel tube
- ASTM A36 steel frame ensures maximum structural integrity
- Each frame receives an electrostatic powder coat finish to ensure maximum adhesion and durability
- Solid-steel weight plates. Top weight plate is fitted with self-lubricating bushings
- Nylon-coated cable meets U.S. military specifications
- Fiberglass-impregnated nylon pulleys
- feature sealed bearings
- Grips retained with aluminum collars, preventing them from slipping during use
- Hand grips are a durable urethane composite
- Standard rubber feet protect base of the frame and prevent the machine from slipping
- Standard rear shrouds
- California Residents see Prop 65 WARNINGS

STATIONS INCLUDED

- (1) Lat Pulldown (Weight stack: 264 lb)
- (1) Pull Up Station
- (1) Low row (Weight stack: 264 lb)
- (2) Adjustable Pulleys (Weight stack: 198 lb each) - Feels like 99 lbs each because of 2:1 ratio
- (1) Fixed Tricep Extension (Weight stack: 198 lb)

STANDARD CABLE ATTACHMENTS

- (1) 48" Lat Pulldown Bar
- (1) Seated Row / Chin Bar
- (1) Tricep Rope
- (2) Stirrup Handle

TECH SPECS

- 264 lb Weight stack: (24) 11 lb (5 kg) Weight Plates
- 198 lb Weight stack: (18) 11 lb (5 kg) Weight Plates
- Cable Reach (Adjustable Pulley Stations): 98"
- Cable Reach (Tricep, Lat, & Row Stations): 49"
- Height at Pull Up Bar: 93.75"
- Machine Weight: 2068 lb (938 kg)
- Dimensions: 196"W x 143"L x 94.25"H (at Tower)
- Pull up bar height: 93.75"
- Paint Color: Black
- Vinyl Color: Black

WARRANTY

10 Years Parts, 1 Year Labor (Commercial)

TABLE OF CONTENTS

PARTS LIST4

ASSEMBLY INSTRUCTIONS. BEFORE YOUR BEGIN7

CLEAN GUIDE RODS8

ASSEMBLY INSTRUCTIONS. STEPS 1-8 9-16

ASSEMBLY DIRECTIONS - STEP 9: WEIGHT STACK ASSEMBLY.....17-20

ASSEMBLY INSTRUCTIONS. STEPS 10-12..... 21-23

PARTS LIST

ITEM NO.	DESCRIPTION	QTY.
1	Top Frame Three	2
2	Top Frame One	2
3	Main Frame	2
4	Top Frame Four	2
5	Top Frame Two	2
6	ROW	2
7	Linking Tube	1
8	Adjuster post	2
9	Lable Placard	8
10	Guide Post	16
11	Footplate	2
12	Long Seat Pad	2
13	Short Seat Pad	2
14	Lat Pull down Assembly	2
15	Adjuster Plate	2
16	10.6lbs Weight Stack	97
18	Selector Bar / Top plate	5
19	Weight Stack Pin	5
20	Tube Top	4
21	Arc Plate	2
22	Pulley Bracket	2
23	Right Footplate	2
24	Left Footplate	2
25	Rubber Foot	12
26	Foot cover	12
27	Adjuster Post Base	2
28	Shock Rubber Gasket	16
29	Press Leg Tube Assembly	2
30	Foam roller	4
31	Outside End Cap	4
32	Inside End Cap	4

PARTS LIST

33	Swivel Pulley Carriage	2
34	Carriage Shroud	2
35	Pulley D114	26
36	Pulley D89	2
37	End Cap 40X80	10
38	End Cap 114X65	12
39	Cable 1 L2420mm	2
40	Cable 2 L2780mm	2
41	Cable 3 L8165mm	2
42	Cable 4 L3325mm	2
43	Retaining rings D25	16
44	Ring	4
45	Pull Pin Assembly	2
46	Bushing	4
47	Bushing D10	2
48	Shaft D19X 111	2
49	Shaft D17X76	2
50	Retaining rings D19	4
51	End Cap D180	4
52	Linking Plate	2
53	E Washer	16
54	Bearing 6203	16
55	Adjuster Lever Assembly	2
56	Slide Bushing	6
57	Shaft D17X90.5	6
58	Lock Washer	2
59	Adjuster Knob	2
60	Adjuster Knob Cap	2
61	Shaft D19x117.5	2
62	Spring	2
63	Plastic Stoper	8
64	Foot Rest Cover Large	2
65	Foot Rest Cover Small	4

PARTS LIST

ITEM NO.	DESCRIPTION	QTY.
T10-4	Allen Bolt M10X20	2
L10-5	Hex Head Bolt M10X25	24
D4-1	Socket Set Screw M4X3	28
D4-5	Socket Set Screw M4X10	4
D6-3	Socket Set Screw M6X8	8
D8-10	Socket Set Screw M8X50	16
K10-12	Countersunk Head Screw M10X60	6
KL4-5	Cross Recessed Pan Head Screw M4X10	8
D4-1	Socket Set Screw M4X3	28
DK8-4	Socket Cap Screw M8X20	20
DK10-5	Socket Cap Screw M10X25	40
DK10-10	Socket Cap Screw M10X50	24
DK10-11	Socket Cap Screw M10X55	6
DK10-12	Socket Cap Screw M10X60	4
DK10-14	Socket Cap Screw M10X70	2
DK10-19	Socket Cap Screw M10X95	8
DK10-20	Socket Cap Screw M10X100	4
DK10-22	Socket Cap Screw M10X110	10
DK10-28	Socket Cap Screw M10X140	20
DK10-30	Socket Cap Screw M10X150	8
DK12-7	Socket Cap Screw M12X35	8
F4	Washer ϕ 4	8
F6	Washer ϕ 6	48
F8	Washer ϕ 8	20
F10	Washer ϕ 10	280
F12	Washer ϕ 12	16
P10	Nylon Nut M10	156
P12	Nylon Nut M12	8

ASSEMBLY INSTRUCTIONS. BEFORE YOUR BEGIN

BEFORE YOUR BEGIN:

This exercise equipment is built for optimum safety. Be sure to Read the entire manual before you assemble or operate your equipment. Please note the following safety precautions:

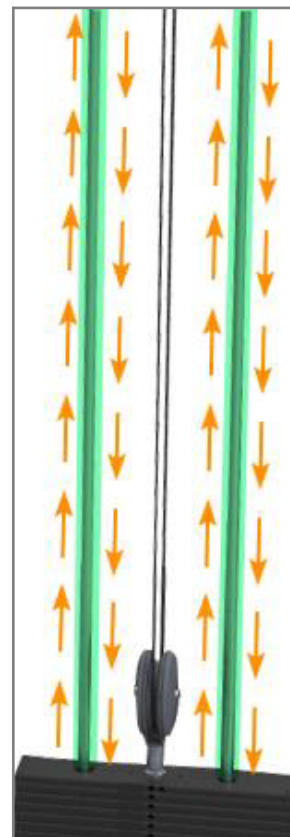
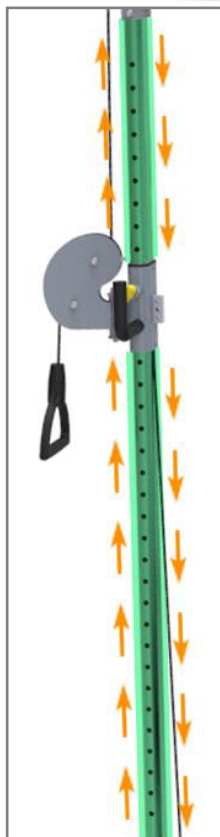
1. Keep Children and pets away from the equipment at all times. Do not leave children unattended in the same room with the equipment.
2. Only one person at a time should use the equipment.
3. If the user experiences dizziness, nausea, chest pain or any other abnormal symptoms STOP the workout at once CONSULT A PHHYSICIAN IMMEDIATELY.
4. Position the equipment on a clear, level surface. DO NOT use the equipment near water or outdoors.
5. Keep Hands away from all moving parts.
6. Always wear appropriate workout clothing when exercising.
1. DO NOT Wear robes or other clothing that could become caught in the equipment.
7. Use the equipment only for its intended use as described in this manual. DO NOT use attachments not recommended by the manufacture.
8. Before using the equipment, always do stretching exercises to properly warm up.
9. Never operate the equipment if the equipment is not functioning properly.

CLEAN GUIDE RODS

Step must be completed prior to installing. Failure to do so can leave residue from packaging and other sources stuck in the bushings

Guide rods need to make sure they are cleaned prior to installation otherwise this will cause the top plate to get stuck. It causes buildup in the bushings of the top plates. They just need to be cleaned out as well as the guide rods.

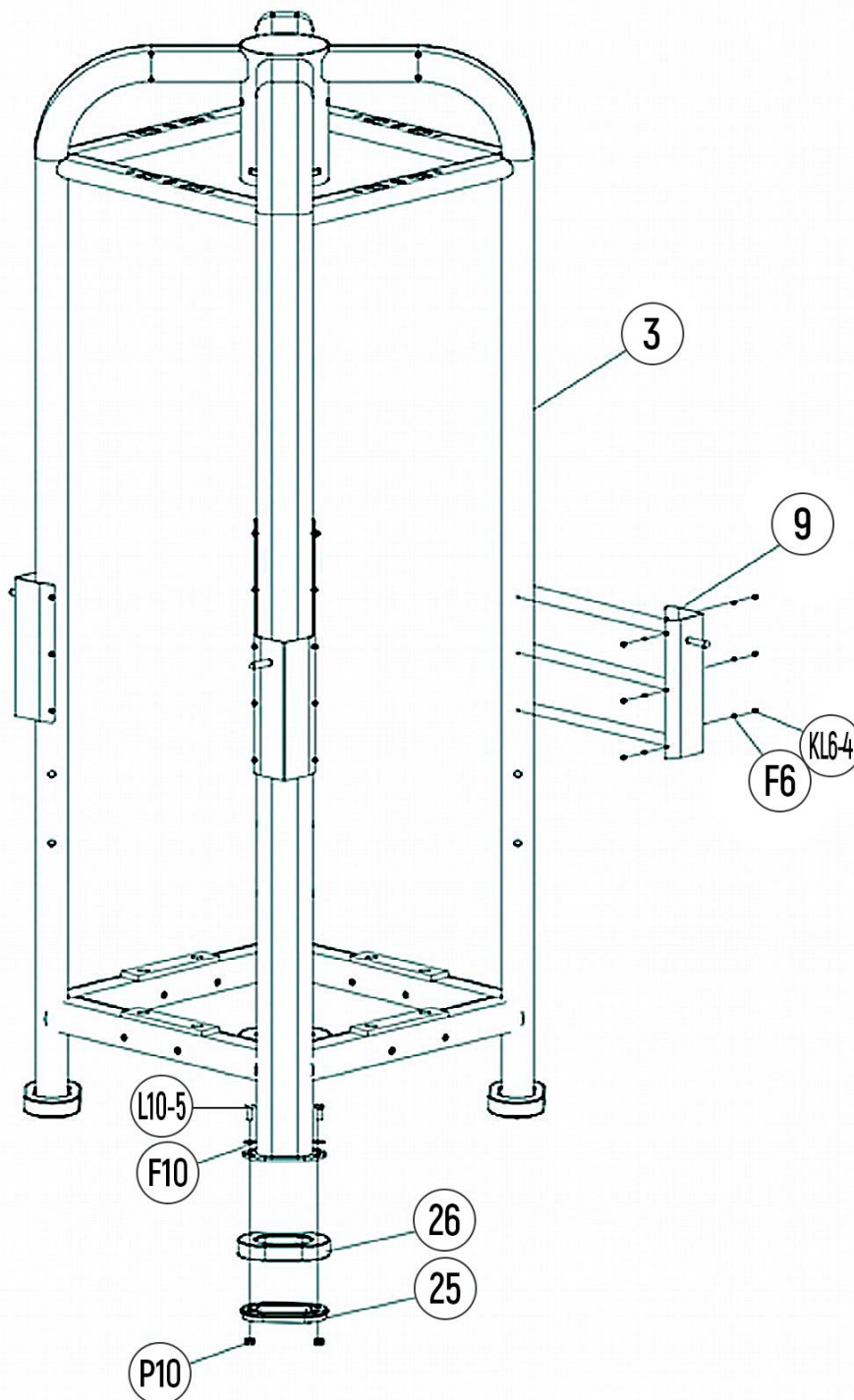
Use Silicon Spray and fiber to remove any excess residue. These can be found around the house or at a nearby hardware store, pics below. Use silicon spray and fiber.



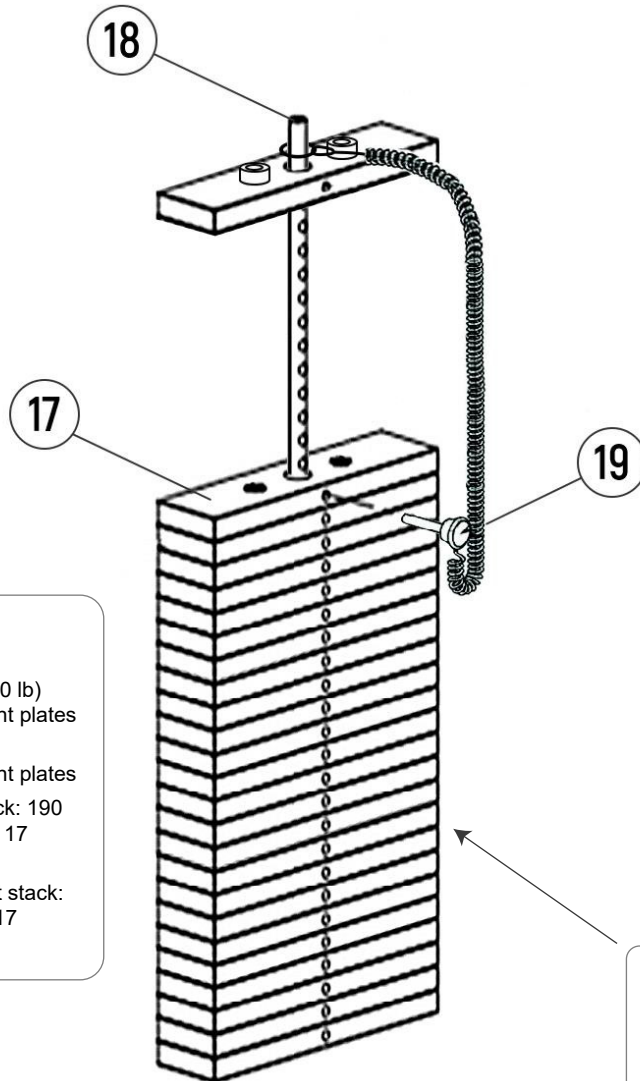
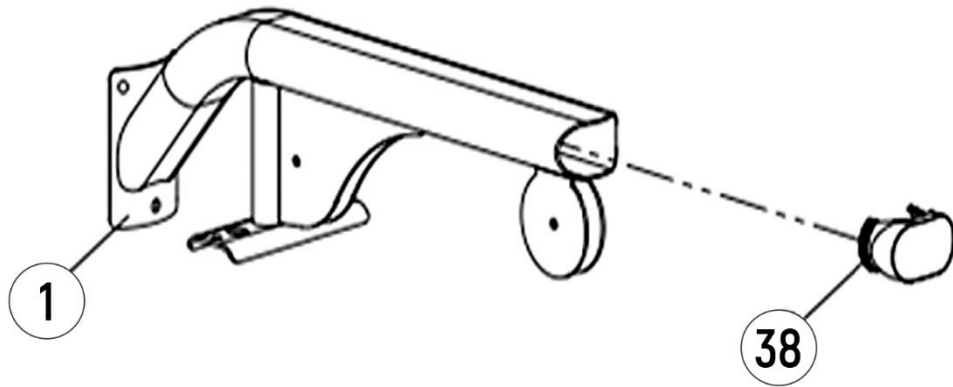
ASSEMBLY INSTRUCTIONS. STEP 1

INFORMATION

- We recommend you have someone assist you in lifting and assembling your gym.
- Follow these steps carefully and it will make it easier to assemble your gym.
- Tighten all the bolts/nuts



ASSEMBLY INSTRUCTIONS. STEP 2



5 Stations

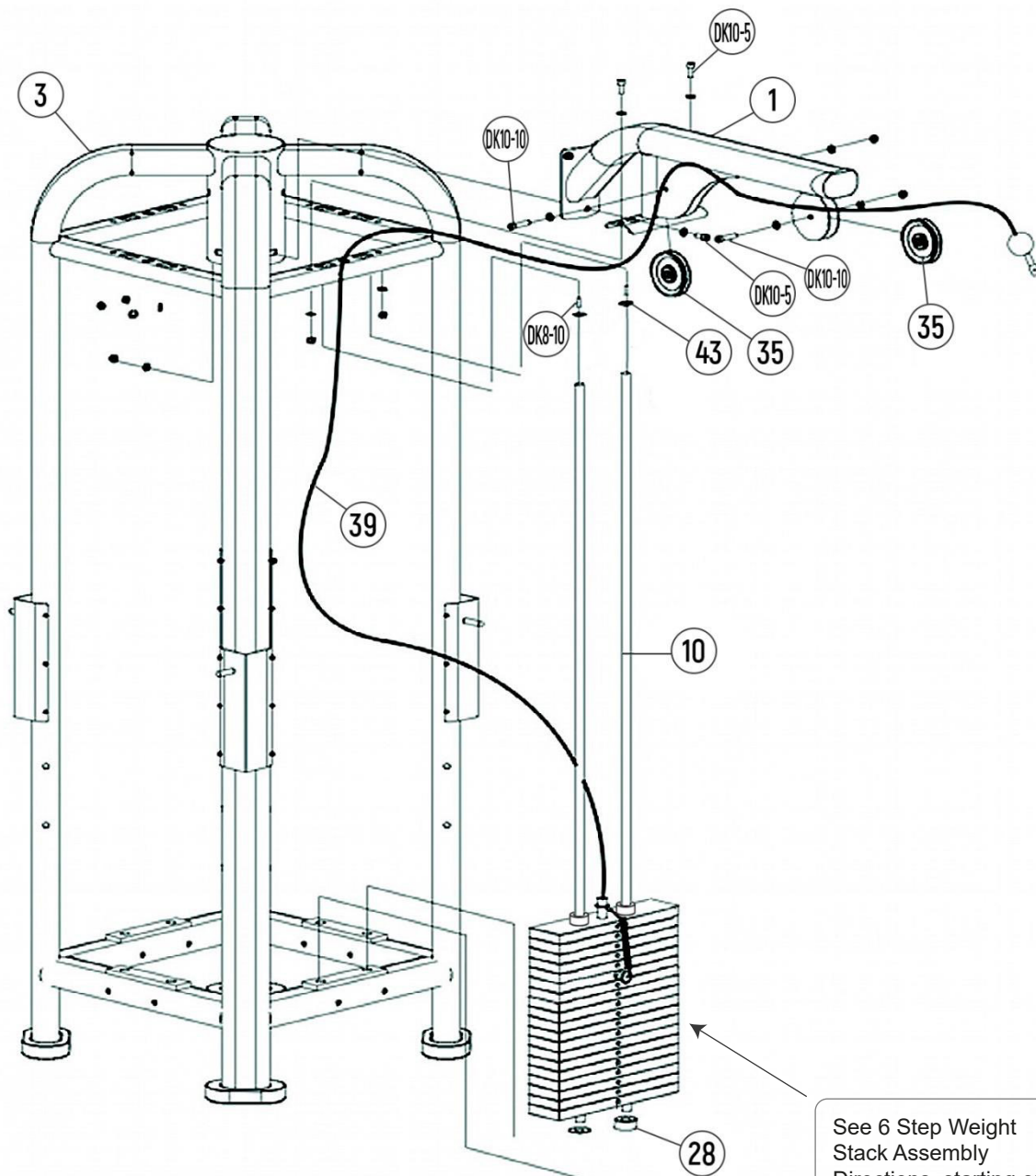
- (1) Lat Pulldown (Weight stack: 260 lb)
-Selector Rod/Top plate + 23 weight plates
- (1) Low row (Weight stack: 260 lb)
-Selector Rod/Top plate + 23 weight plates
- (2) Adjustable Pulleys (Weight stack: 190 lb each)
-Selector Rod/Top plate + 17 weight plates
- (1) Fixed Tricep Extension (Weight stack: 190 lb)
-Selector Rod/Top plate + 17 weight plates

See 6 Step Weight Stack Assembly Directions, starting on Page 17, for Weight Stack Assembly Details

ASSEMBLY INSTRUCTIONS. STEP 3

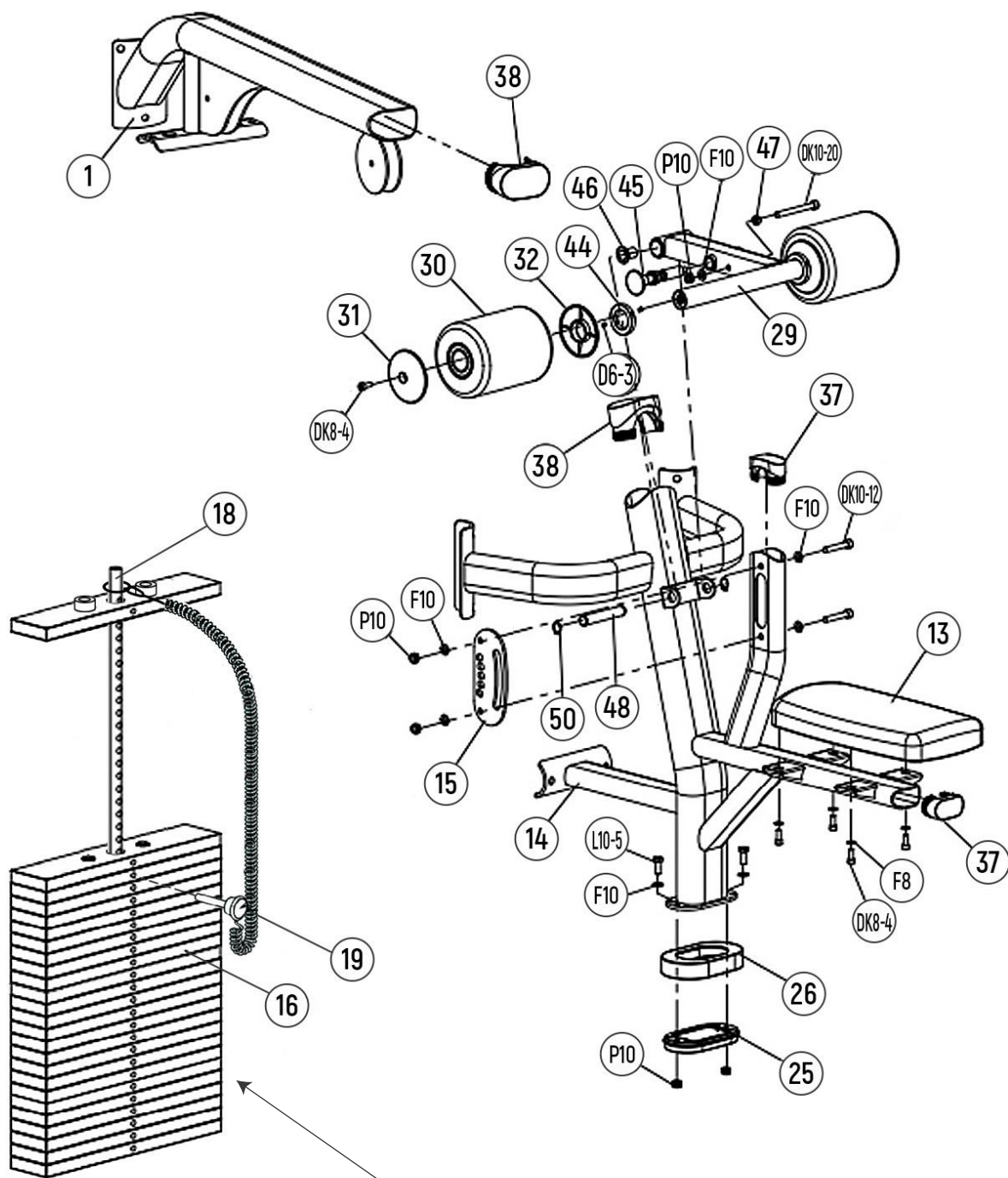
NOTE:

In this step, all the washers and nuts which are not marked are F10 and P10



See 6 Step Weight Stack Assembly Directions, starting on Page 17, for Weight Stack Assembly Details

ASSEMBLY INSTRUCTIONS. STEP 4

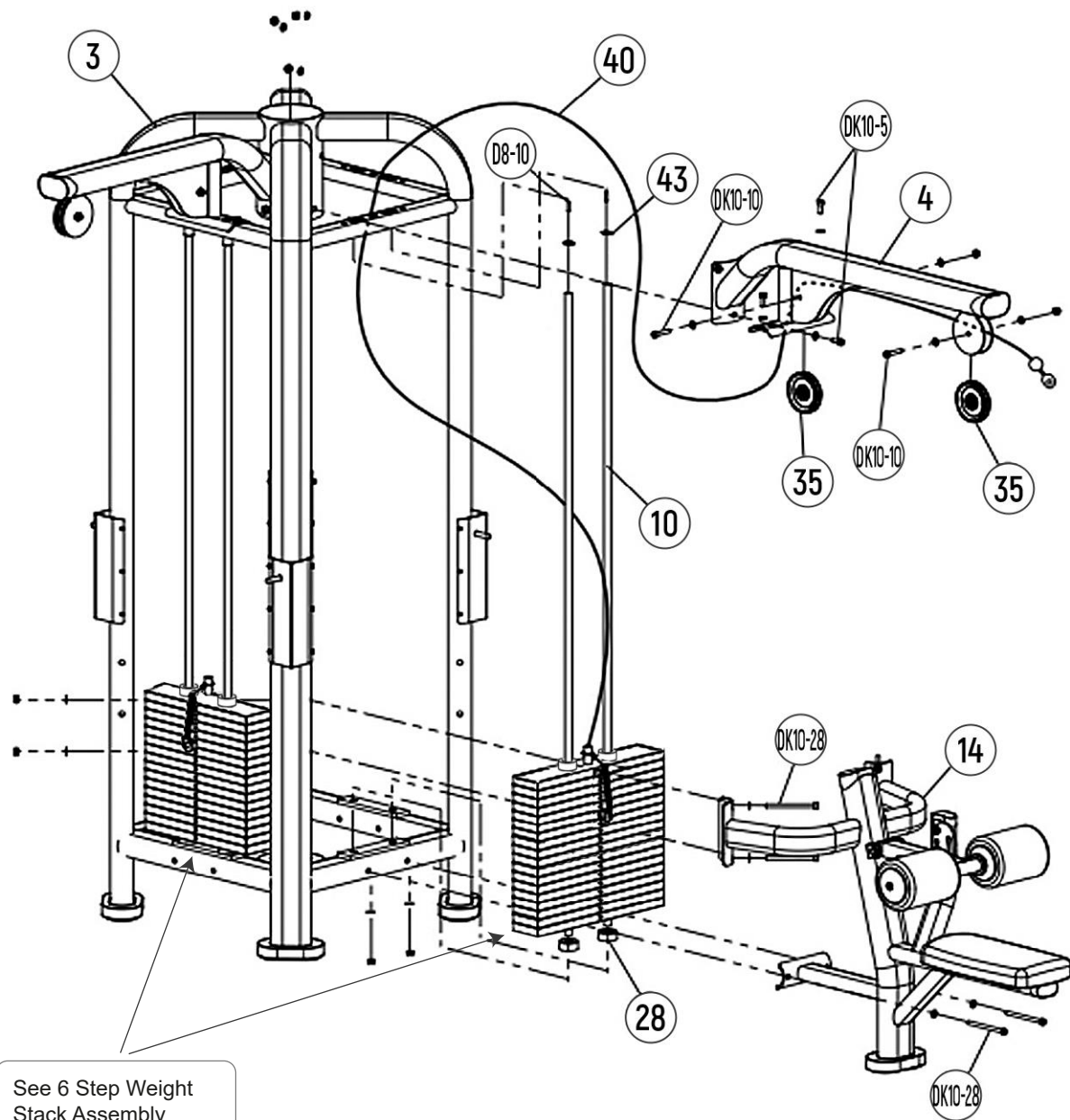


See 6 Step Weight Stack Assembly Directions, starting on Page 17, for Weight Stack Assembly Details

ASSEMBLY INSTRUCTIONS. STEP 5

NOTE:

In this step, all the washers and nuts which are not marked are F10 and P10

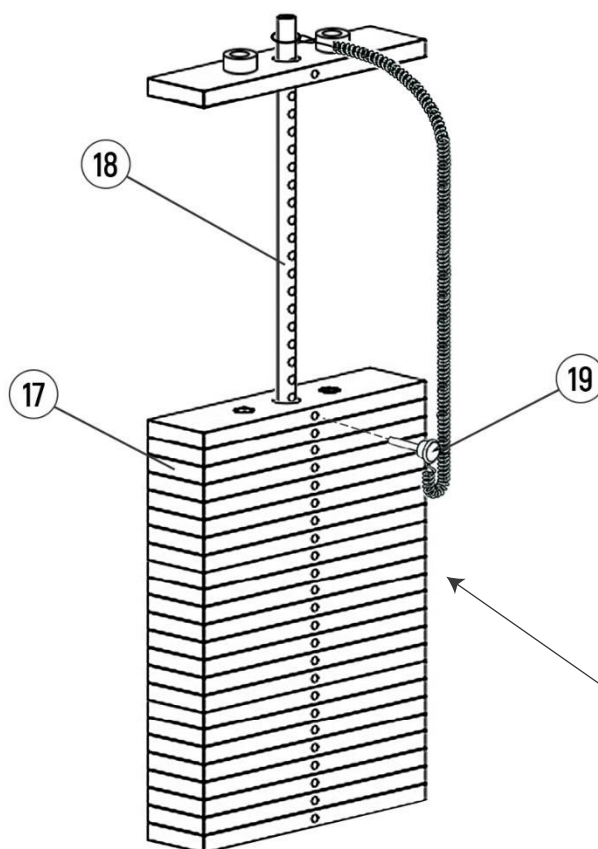
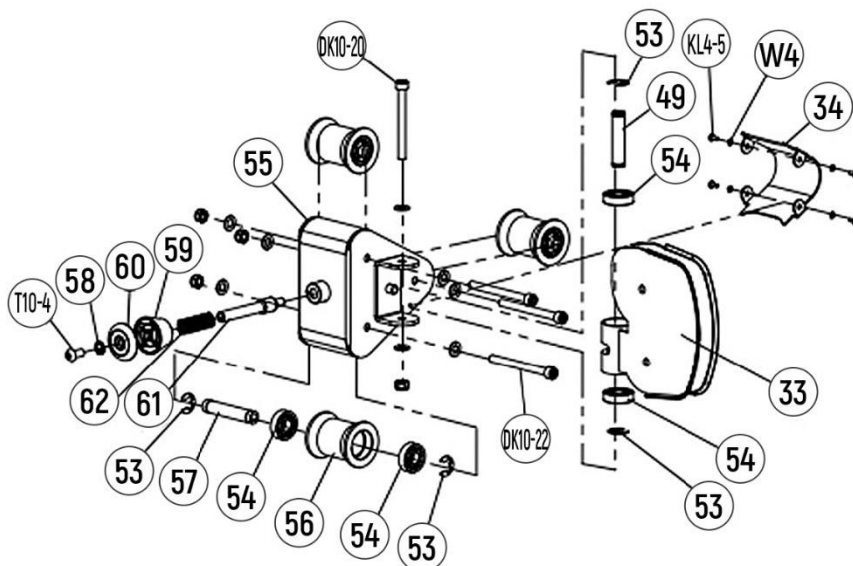


See 6 Step Weight Stack Assembly Directions, starting on Page 17, for Weight Stack Assembly Details

ASSEMBLY INSTRUCTIONS. STEP 6

NOTE:

In this step, all the washers and nuts which are not marked are F10 and P10

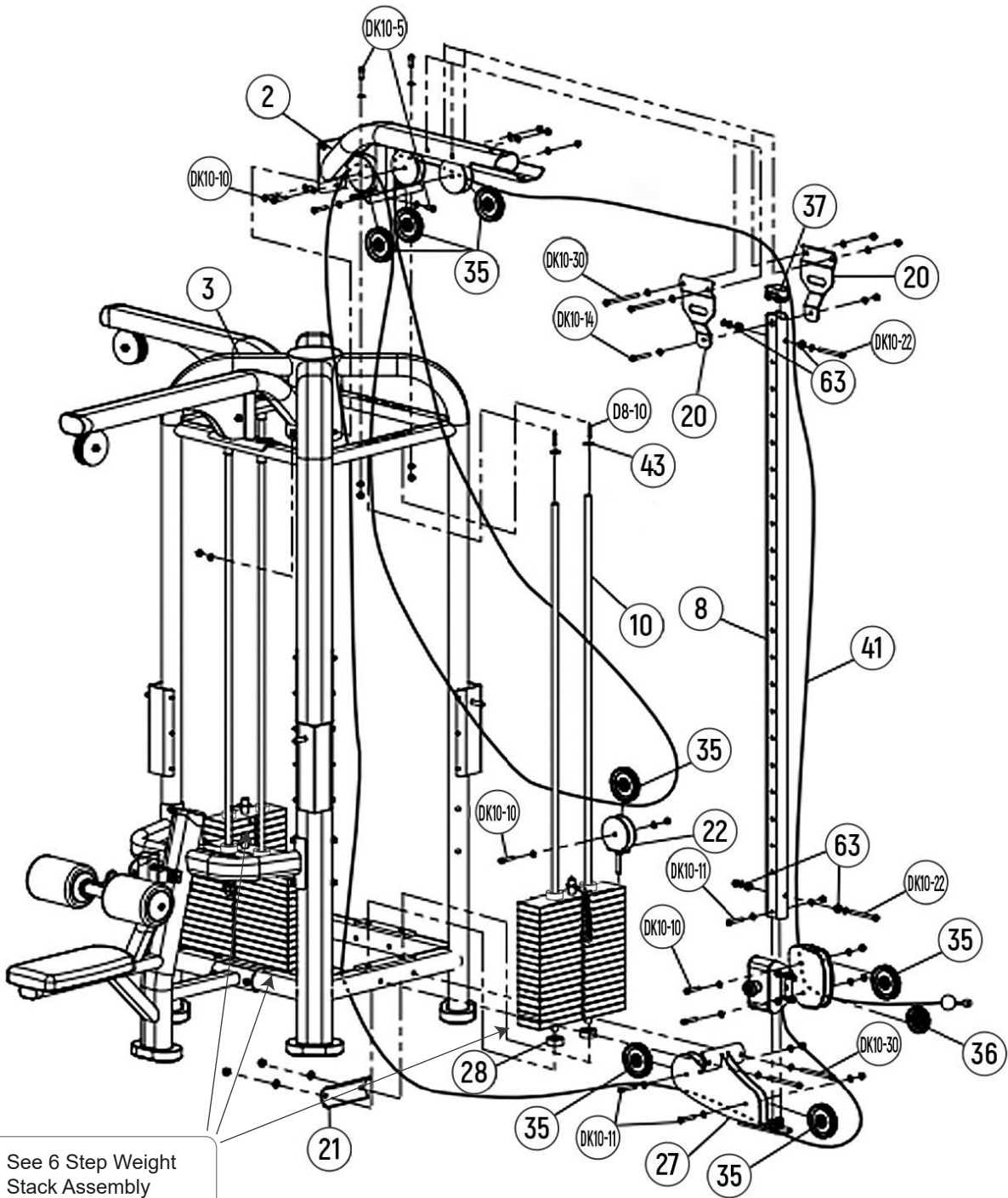


See 6 Step Weight Stack Assembly Directions, starting on Page 17, for Weight Stack Assembly Details

ASSEMBLY INSTRUCTIONS. STEP 7

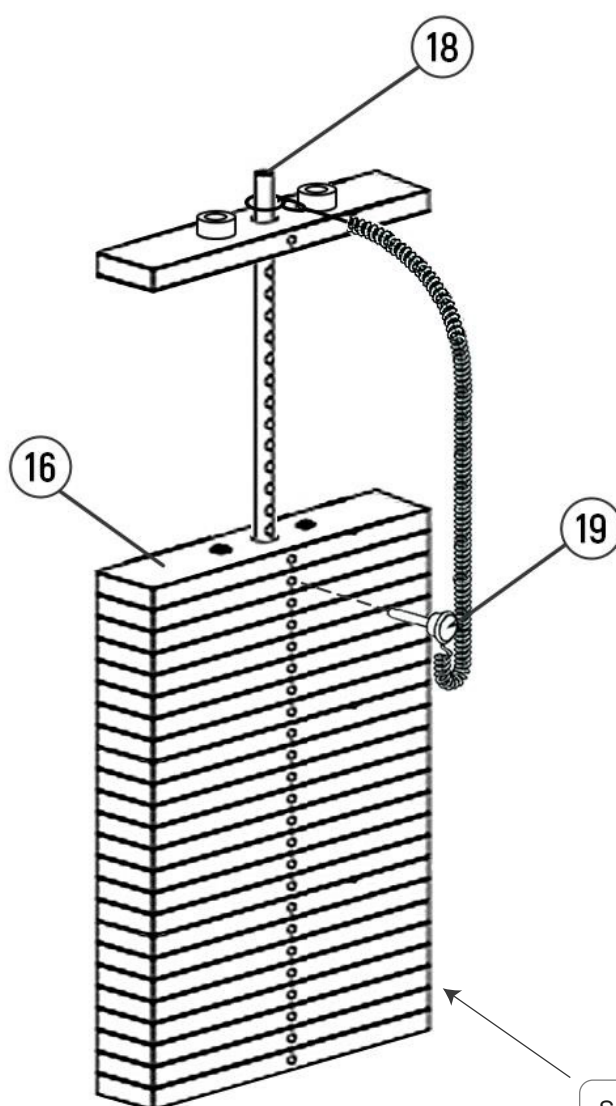
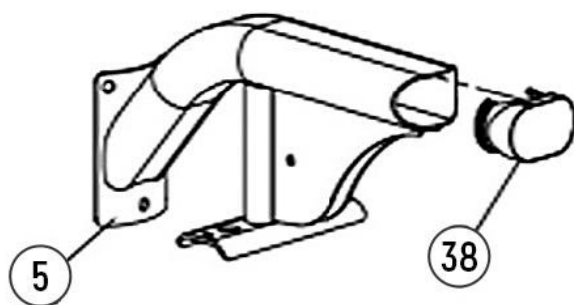
NOTE:

In this step, all the washers and nuts which are not marked are F10 and P10



See 6 Step Weight Stack Assembly Directions, starting on Page 17, for Weight Stack Assembly Details

ASSEMBLY INSTRUCTIONS. STEP 8



See 6 Step Weight Stack Assembly Directions, starting on Page 17, for Weight Stack Assembly Details

ASSEMBLY DIRECTIONS – STEP 9: WEIGHT STACK ASSEMBLY

STEP 1. RUBBER BUMPERS



STEP 2. GUIDE RODS – TILT OUT



STEP 3. WEIGHT PLATES



STEP 4. TOP PLATE/SELECTOR ROD – REMOVE FROM CABLE FOR NOW + INSTALL THE TOP PLATE



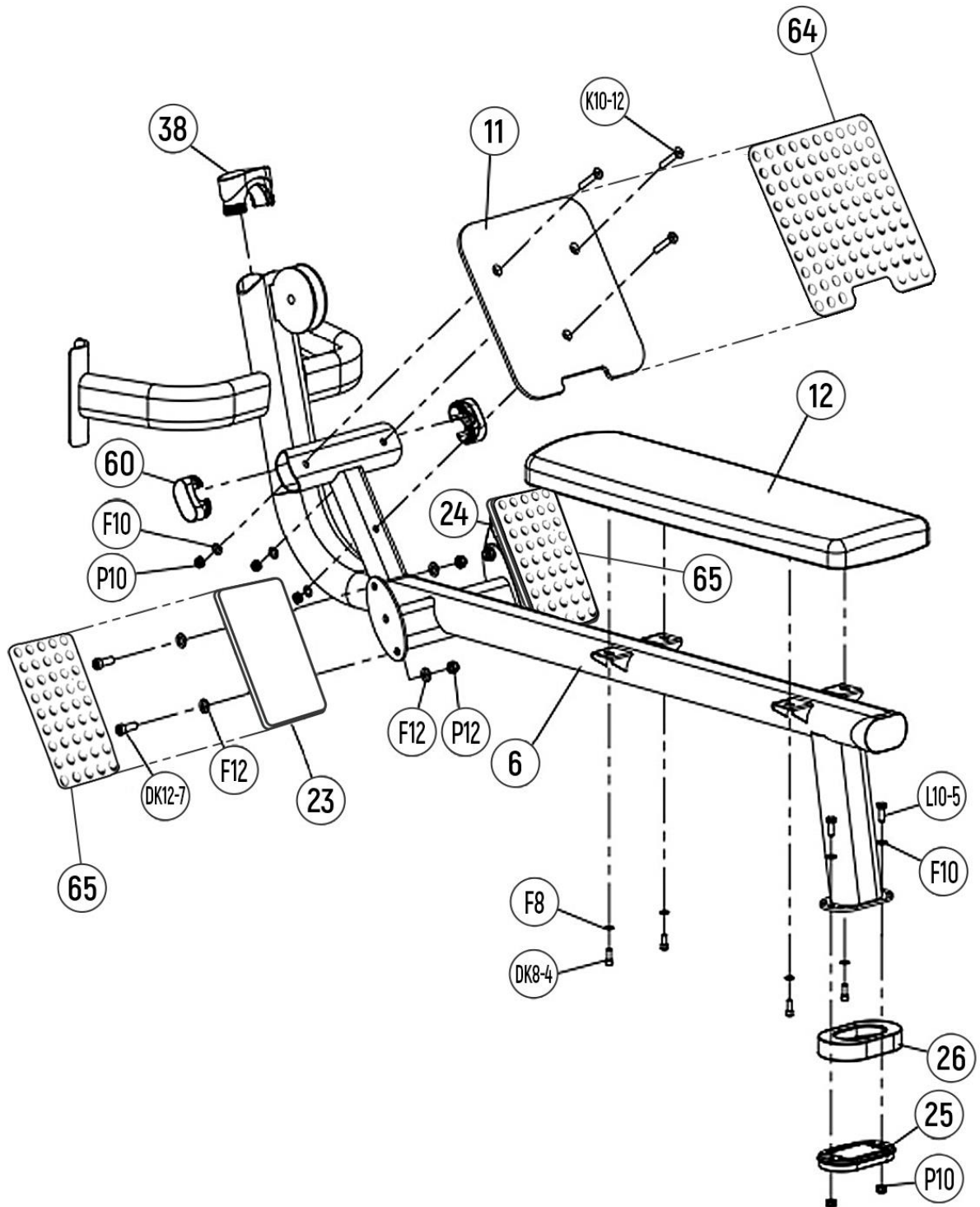
**STEP 5. TILT IN GUIDE RODS –
RAISE THEM IN ORDER TO BOLT THEM IN**



STEP 6. INSTALL THE WEIGHT SELECTOR PIN AND REATTACH CABLE TO THE TOP PLATE AND THEN STORE WEIGHT ADAPTERS ON THE CHROME BRACKET AT THE TOP SO THAT THE CABLE CAN BE TIGHTENED AND ADJUSTED



ASSEMBLY INSTRUCTIONS. STEP 10

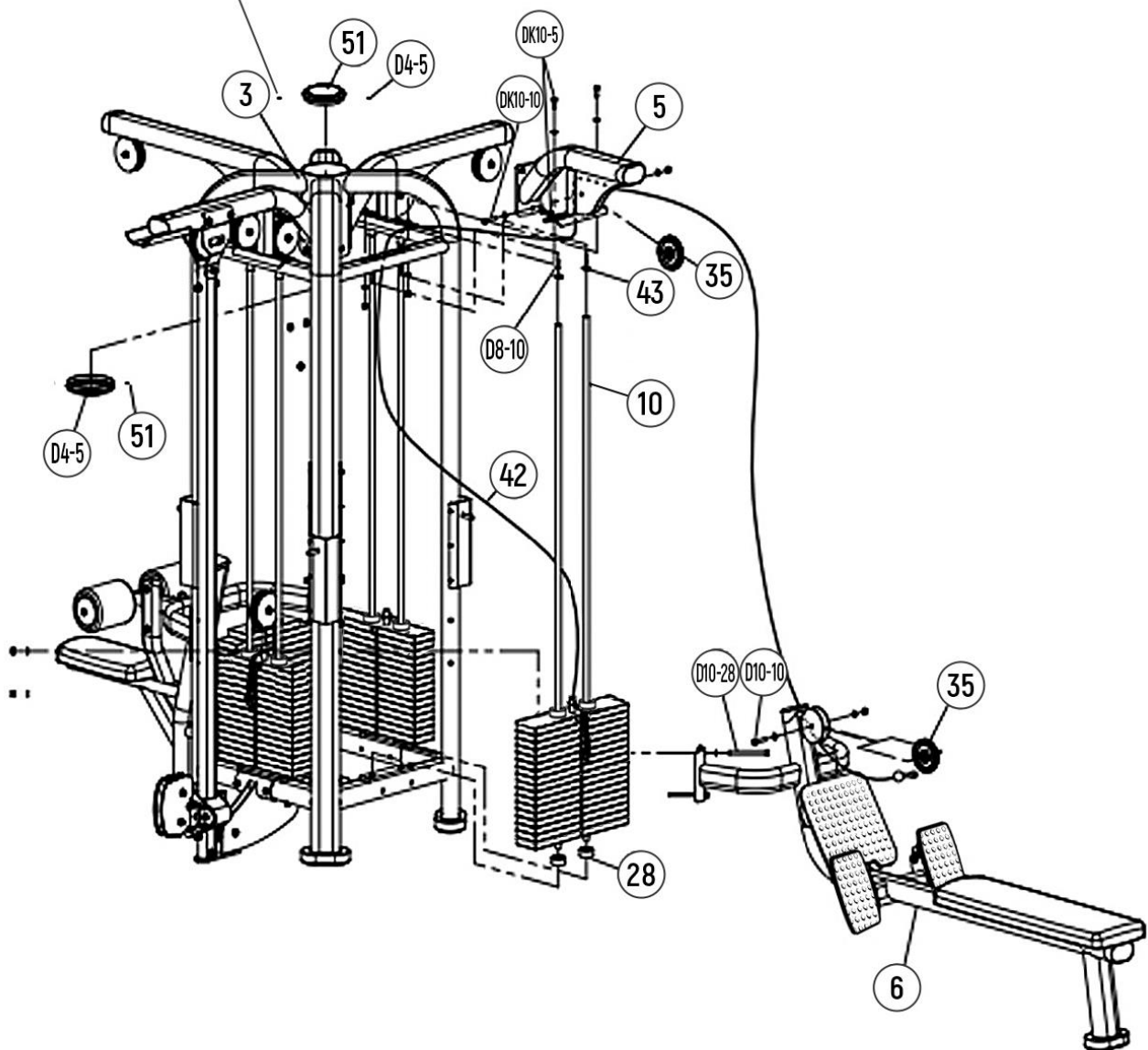


ASSEMBLY INSTRUCTIONS. STEP 11

NOTE:

In this step, all the washers and nuts which are not marked are F10 and P10

There are 2 screws(D4-5) in the main frame(1) to lock the end cap(51).



ASSEMBLY INSTRUCTIONS. STEP 12

